

Four-axle open wagon

82.5 m³, Eanos

for the transportation of iron scrap and other bulk materials



Advantages

- Especially designed for the transportation of bulk materials like iron scrap, coal, briquettes, ore and stone
- Robust wagon due to walls and floor with reinforced steel construction
- Reinforced drawgear
- GPS-monitoring
- DAC-ready

Payload

Load limits	A	B	C	D
S	40.9 t	48.9 t	58.9 t	66.9 t

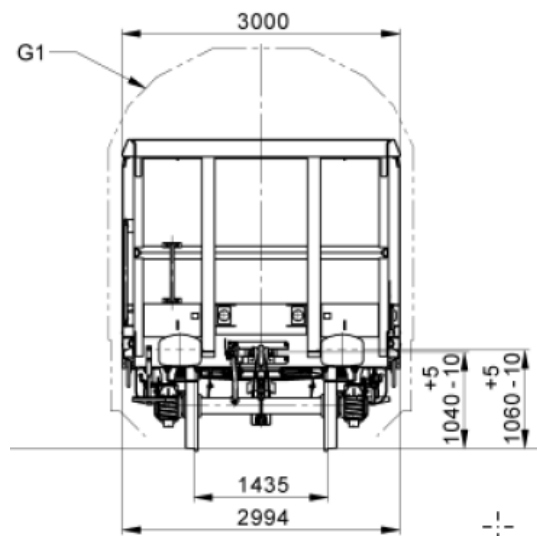
Tare weight 23,100 kg +/- 2%

Dimensions and equipment

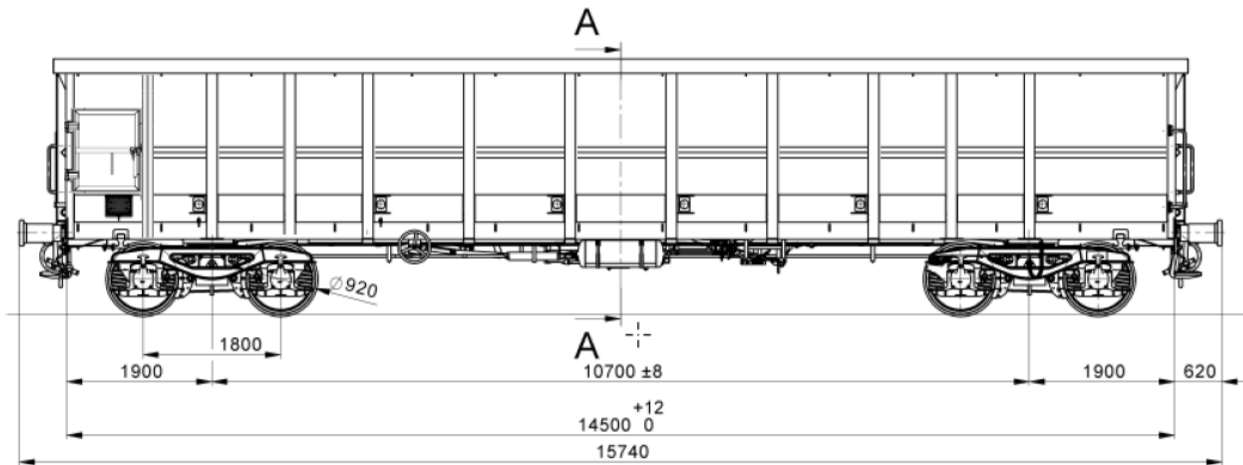
Length over buffers	15,740 mm
Outer axle base	12,500 mm
Track gauge	1,435 mm
Axle load	22.5 t with 25 t wheel sets
Volume	82.5 m ³
Number of doors	2
Loading length	14,492 mm
Loading width	2,720 mm
Loading surface	39.4 m ²

Technical data

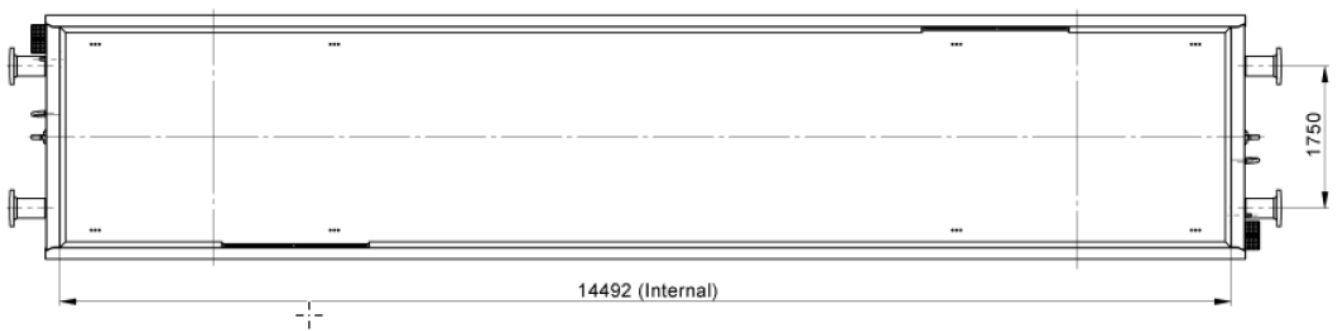
Boogie	Y25Lsd - KP1V
Brake	Pneumatic, Knorr KE-GP-A
Space for Mounting of Digital Automatic Coupler (DAC)	UIC 530-1 Variant 1



Four-axle open wagon (standard wagon), Eanos, 82.5m³ - side view



Four-axle open wagon (standard wagon), Eanos, 82.5m³ - top view



Four-axle open wagon (standard wagon), Eanos, 82.5m³ - angle view

